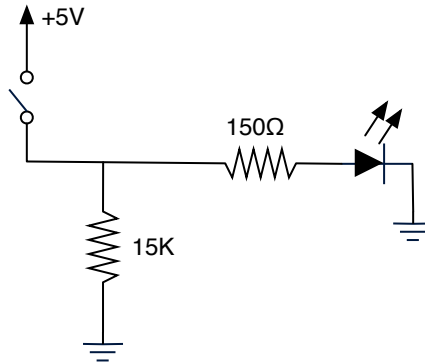


Assigned: Tuesday 1 September

Due: Monday 7 September 10:30 pm

Note: Circuit and logic gate diagrams may be neatly hand drawn and scanned/photographed. Everything else should be typeset for inclusion in your submitted PDF.

1. Suppose you tried to construct the following circuit in lab, but you find that the LED does not light regardless of how the switch is set.

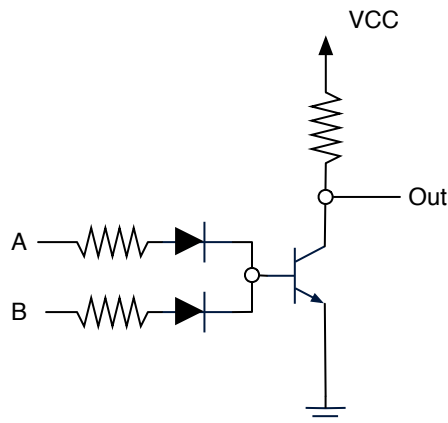


Suggest at least four potential problems you should check for.

2. You recently learned how to build a two-input OR gate with transistors. A *three*-input OR gate is asserted (1) when any of the three inputs are asserted and deasserted (0) when all three inputs are deasserted.

- (a) Write the truth table for a three-input OR gate.
- (b) Draw a circuit diagram using transistors to build a three-input OR gate.

3. Consider the following circuit.



- (a) Explain the value of the voltage at Out for all settings (VCC or GND) of A and B.
- (b) Explain what type of logic gate this circuit represents.

4. Consider the following truth table.

A	B	Out
0	0	1
0	1	0
1	0	0
1	1	1

Draw a circuit diagram using transistors (either NPN or PNP as appropriate) that implements this function. Briefly explain how/why your circuit handles each of the four cases correctly.

5. Consider the boolean function $f = a \cdot b + \bar{b} \cdot c + \overline{(a + c)}$.

- Draw a logic gate diagram for f using only NOT gates and two-input AND and OR gates.
- Write the truth table for f .
- Explain the gate delay for your diagram of f .

Acknowledgments Problems 1, 2, and 5 are by Janet Davis. (Used by permission.)